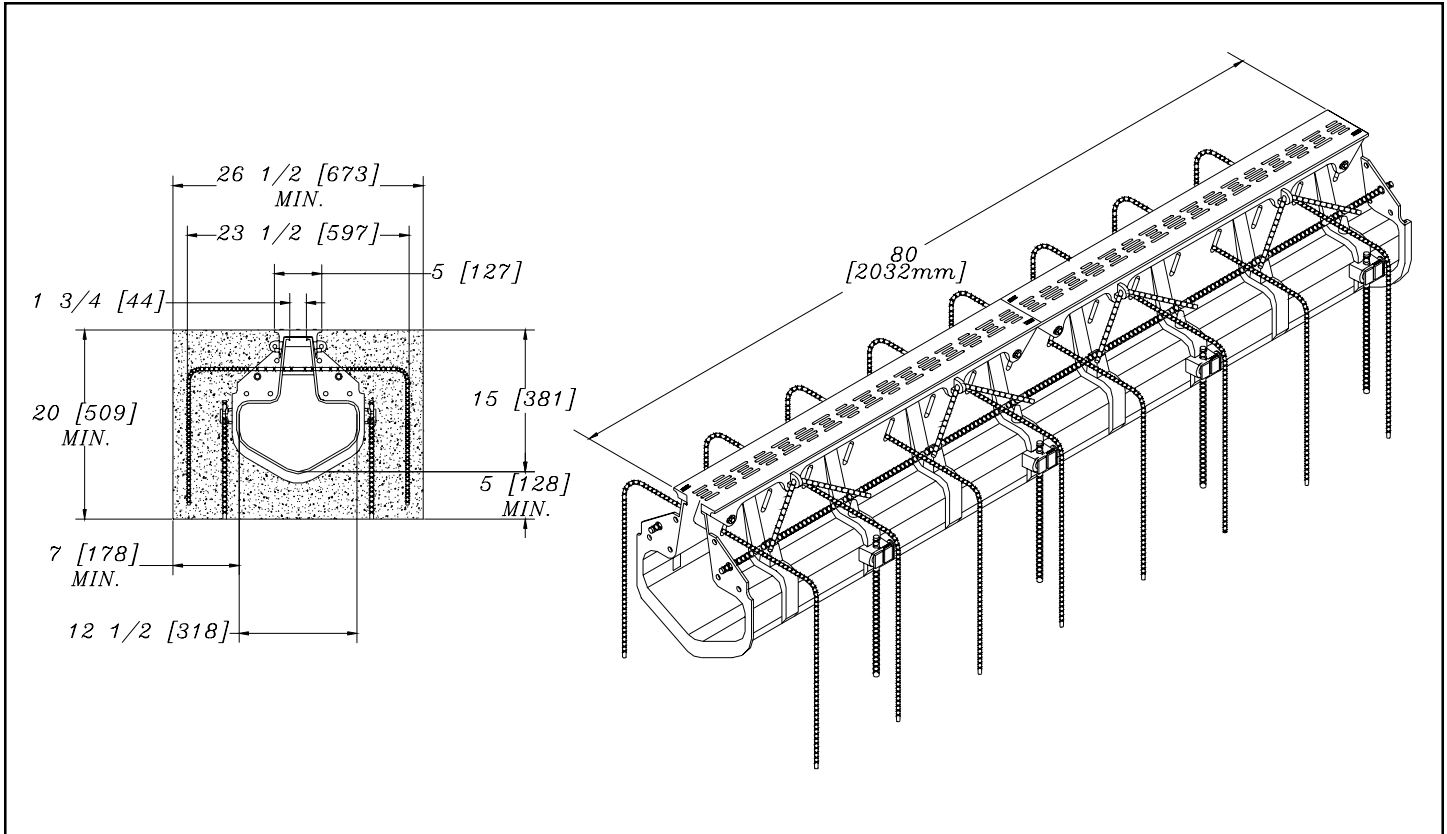




Z-888-12-DYN-HP HEELPROOF HIGH CAPACITY TRENCH DRAIN SYSTEM



ENGINEERING SPECIFICATION

Zurn Z-888-12-DYN-HP 13" wide 1 3/4" slotted High Capacity trench drain system with Heelproof Ductile Iron Top. Heelproof top has 1/4" wide longitudinal slots. Linear low density polyethylene modular drain channel with smooth non-stick, non-corrosive interior and 0% water absorption. 80" modular sections with integral frame, mechanically interlocking joints and smooth radiused interior. Integral tie-down/leveling devices at 20" intervals, U-shaped tensile strength rebar (#4) at 10" intervals, 4,000 psi concrete encasement, and load distribution rebar stances with continuous lengths of rebar (#4) for structural integrity. **(Rebar, wire, and 4,000 psi concrete to be supplied by other.)**

CP SUFFIX OPTION ENGINEERING SPECIFICATION

Zurn Z-888-18-DYN-CP 8" wide linear low density polyethylene cleanout port. 24" long modular cleanout port with Welded Steel top frame assembly, mechanically interlocking joints, integral rebar clips and smooth radiused interior. Furnished with 8" special duty, Dura-Coated ductile iron grate and lockdown hardware, unless otherwise specified.

PREFIX OPTIONS

Z*- 80" linear low density polyethylene modular drain channel with integral top frame.

SUFFIX OPTIONS

- _____ -CP Cleanout Port with Ductile Iron Grate
- _____ -CF Carbon Steel Dura Coated Frame Assembly with Anchor Studs
- _____ -CGF Galvanized Carbon Steel Frame Assembly with Anchor Studs
- _____ -DF Ductile Iron Black Dura Coated Frame
- _____ -DGF Ductile Iron Galvanized Frame
- _____ -E1 Closed End Cap
- _____ -E8 8" No Hub End Outlet
- _____ -E12 12" No Hub End Outlet
- _____ -SF Stainless Steel Frame Ass'y with Anchor Studs

Supplied By:

**TRENCH DRAIN
SUPPLY**

877-903-7246

www.trenchdrainsupply.com

REV.	DATE: 8/13/01	C.N. NO. 87929
DWG. NO. 64124	PRODUCT NO. Z-888-12-HP-DYN	

*Regularly Furnished Unless Otherwise Specified

ZURN INDUSTRIES, INC., FLO-THRU DIV., 2855 Girts Road, Jamestown, NY 14701

Phone: 716/665-1132, Fax: 716/665-1135, World Wide Web: www.zurn.com

In Canada: ZURN INDUSTRIES LIMITED, 3544 Nashua Drive, Mississauga, Ontario L4V1L2, Phone: 905/405-8272 Fax: 905/405-1292

In UK: Zurn Industries Ltd, Riverside Rd, Pottington Business Park, Barnstaple, Devon EX31 1QN, Phone 01271-340350 Fax 01271-344660